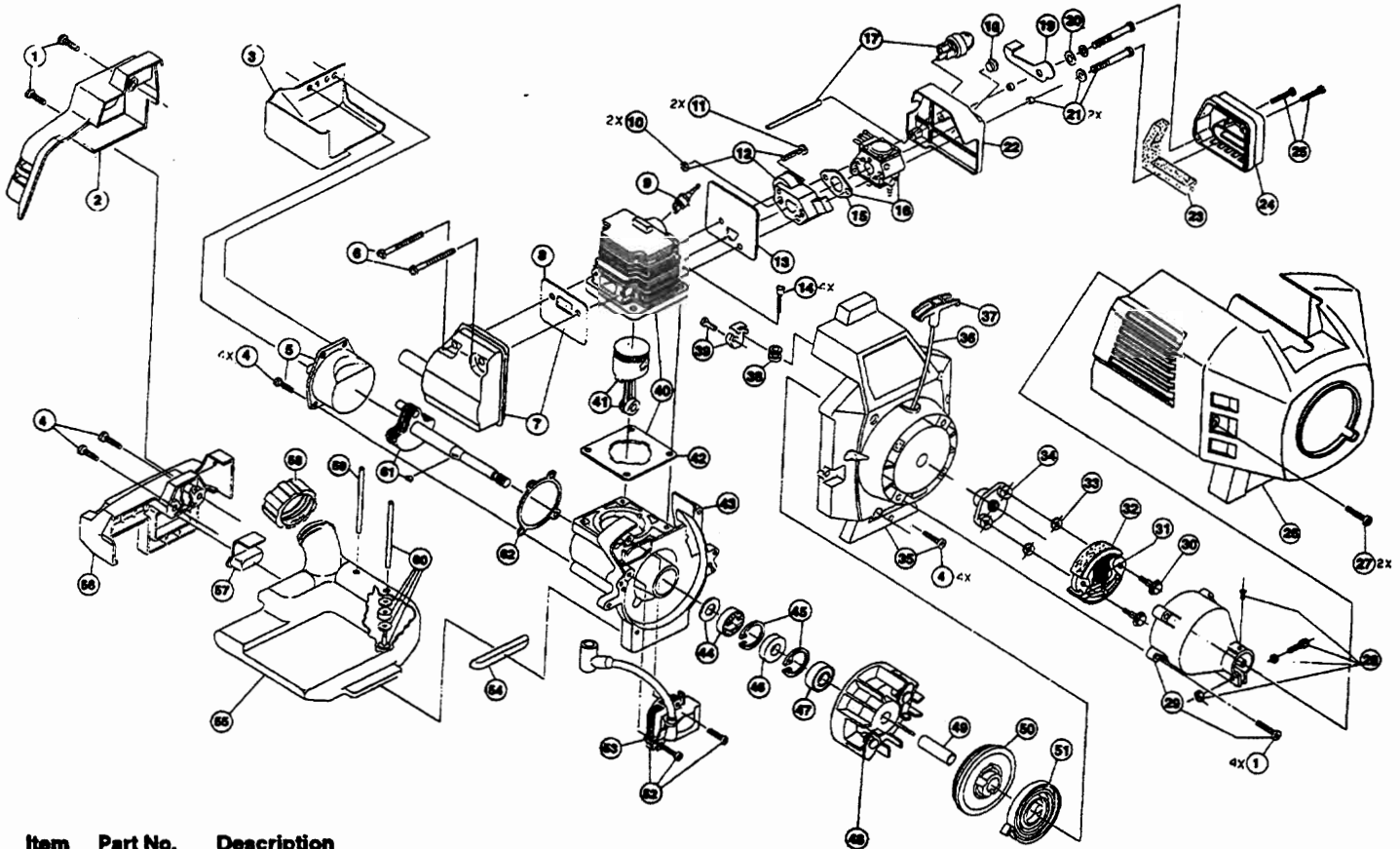


ENGINE PARTS - RYOBI 885r

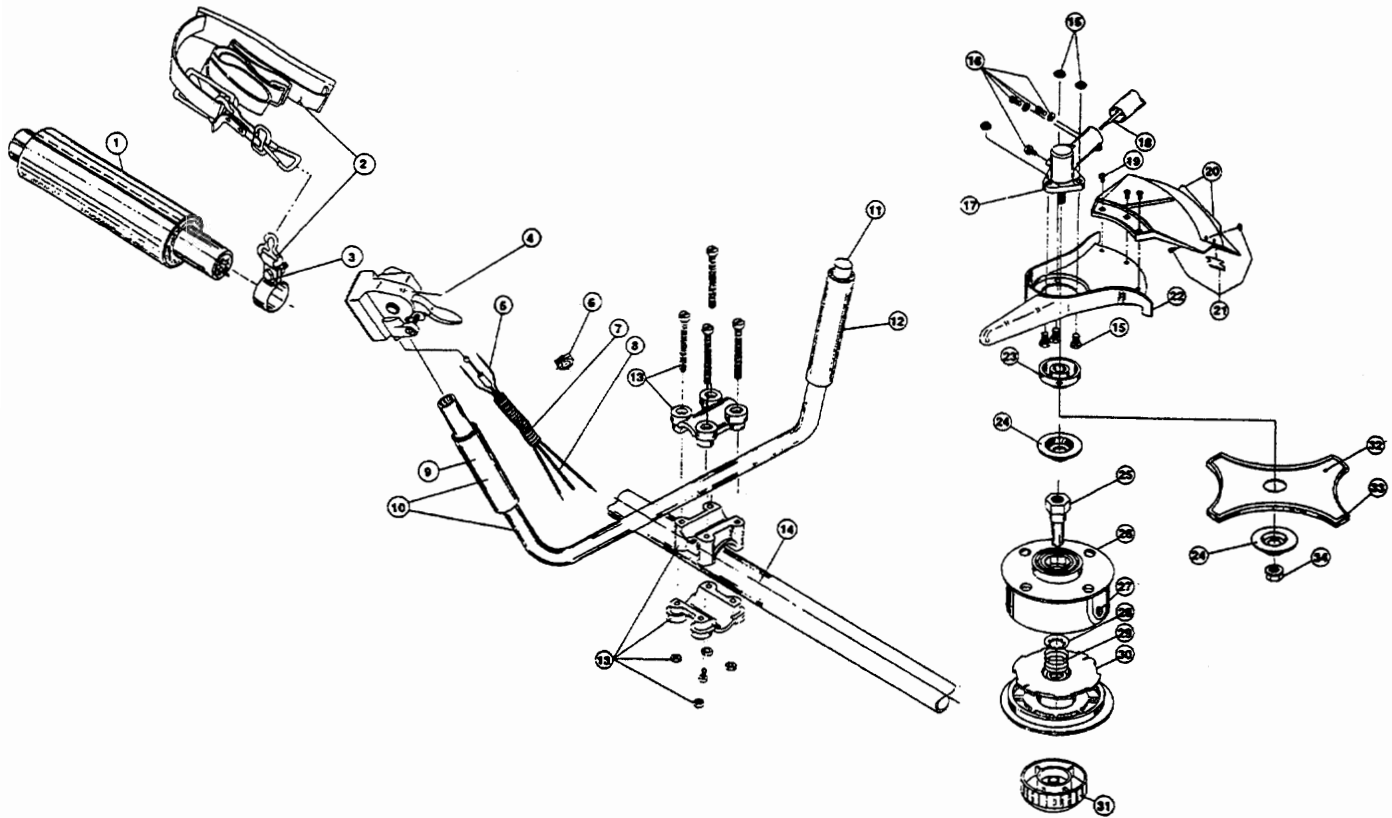
(Serial no. 401000001 and greater)



Item	Part No.	Description	Item	Part No.	Description
1	145888	Screw	38	611061	Rope Guide
2	180854	Rear Cover	39	153644	Pulley Retainer Assembly
3	180211	Heat Shield	40	180235	Cylinder Assembly
4	180212	Mounting Screw Set	41	180534	Piston and Rod Assembly
5	180213	Crankcase Cap	42	180236	Cylinder Assembly
6	180214	Muffler Mounting Hardware	43	180249	Crankcase (includes items 5, 43-47, 61 & 62)
7	180215	Muffler Assembly	44	682041	Inner Bearing Assembly
8	180216	Muffler Cylinder Gasket	45	682040	Snap Ring Assembly
9	610311	Spark Plug	46	610309	Seal
10	180217	Spacer Nut Set	47	610308	Outer Bearing
11	180695	Spacer Screw Set	48	153624	Flywheel Assembly
12	180532	Carburetor Spacer Assembly	49	145918	Spacer
13	180220	Spacer Cylinder Gasket (10 pack)	50	180535	Recoil Pulley
14	180221	Screw	51	613102	Recoil Spring
15	612113	Carburetor Gasket (10 pack)	52	180238	Module Assembly
16	180529	Carburetor Assembly	53	180753	Ground Tab
17	683974	Primer Bulb and Hose	54	180239	Front Fuel Tank Pad
18	180224	Switch Plug	55	180240	Fuel Tank Assembly (includes items 58-60)
19	180817	Choke Lever	56	180242	Fuel Tank Bracket
20	180226	Wavey Washer	57	180241	Rear Fuel Tank Pad
21	180533	Carb Mounting Screw Assembly	58	180000	Fuel Cap Assembly
22	180223	Air Cleaner Base Assembly	59	180243	Fuel Return Line
23	180228	Foam Air Filter Element	60	180244	Fuel Line Assembly
24	180229	Air Cleaner Cover	61	180245	Power Shaft Assembly
25	180230	Air Cleaner Cover Screw Set	62	180246	Crankcase Gasket
26	180855	Front Cover	*	153308	O.E.M. Carburetor Repair Kit (Walbro)
27	180856	Mounting Hardware	*	180090	O.E.M. Carburetor Repair Kit (Zama)
28	180827	Clutch Clamping Hardware	*	153309	Gasket-Diaphragm Repair Kit (Walbro)
29	180831	Clutch Housing Assembly	*	180091	Gasket-Diaphragm Repair Kit (Zama)
30	180830	Clutch Bolt	*	180537	Piston Ring Set
31	180857	Clutch Spring	*	180248	Short Block Assembly (includes items 5, 9, 40-47, 61 & 62)
32	180835	Clutch Shoe and Spring Assembly	*	610676	Flywheel Key (10 pack)
33	180853	Clutch Washer	*	180832	Complete Clutch Assembly (items 29-34)
34	180829	Clutch Holder	*		
35	180825	Starting Housing Assembly	*		
36	613103	Starter Rope	*		
37	610300	Pull Handle	*		not shown

RYOBI 885r - BOOM & TRIMMER PARTS

(Serial no. 40100001 and greater)



Item	Part No.	Description
1	180858	Grip
2	180859	Shoulder Strap Assembly
3	180860	Shoulder Strap Clamp
4	180861	Switch and Throttle Assembly
5	180828	Lead Wire Assembly W/Connectors
6	180862	Clip
7	180863	Throttle Wire Cover
8	180864	Throttle Cable
9	612832	Grip
10	180865	Handle Bar Assembly (includes items 9, 11 and 12)
11	612021	Tube Closure
12	612831	Grip
13	683295	Handle Bracket Assembly
14	180833	Drive Housing Assembly
15	147539	Guard Mount Hardware
16	147677	Mounting Hardware and Grease Plug
17	147488	Gear Box Assembly (includes items 16, 23, 24 and 34)
18	180826	Drive Shaft
19	683304	Guard Mounting Screws
20	180387	Guard and Blade Assembly
21	682061	Blade Assembly

Item	Part No.	Description
22	147492	Guard Mount
23	147489	Driver
24	147490	Retaining Washer
25	612483	Spool Shaft
26	147494	Outer Spool and Eyelet Assembly
27	145566	Eyelet
28	612026	Retainer
29	610636	Spring
30	147495	Inner Reel
31	180814	Bump Head Knob Assembly
32	145873	Blade
33	147670	Blade Cover
34	147491	Lock Nut
*	147299	Locking Rod Tool
*	147541	Ryobi 2-Cycle Oil (4 oz. bottle)

Optional Accessories

- * 180120 Monofil Cutting Line, 50 ft.
- * 147345 Spool and Line Assembly, 40 ft.
- * 147498 Complete Head Assembly (items 25-31)
- * 180014 Blade Retaining Kit (items 24 and 34)
- * not shown